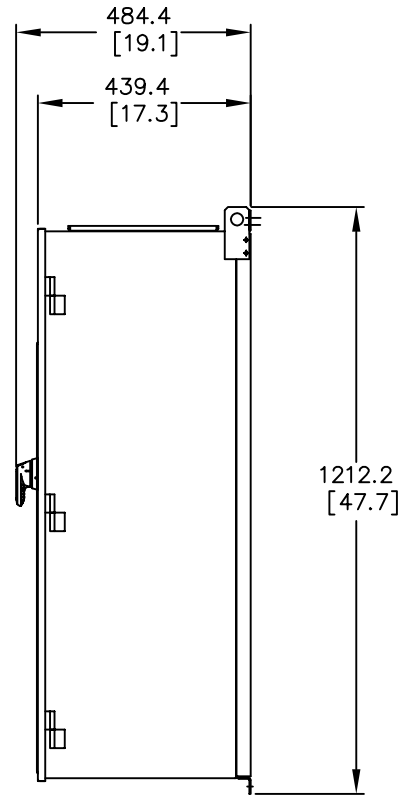
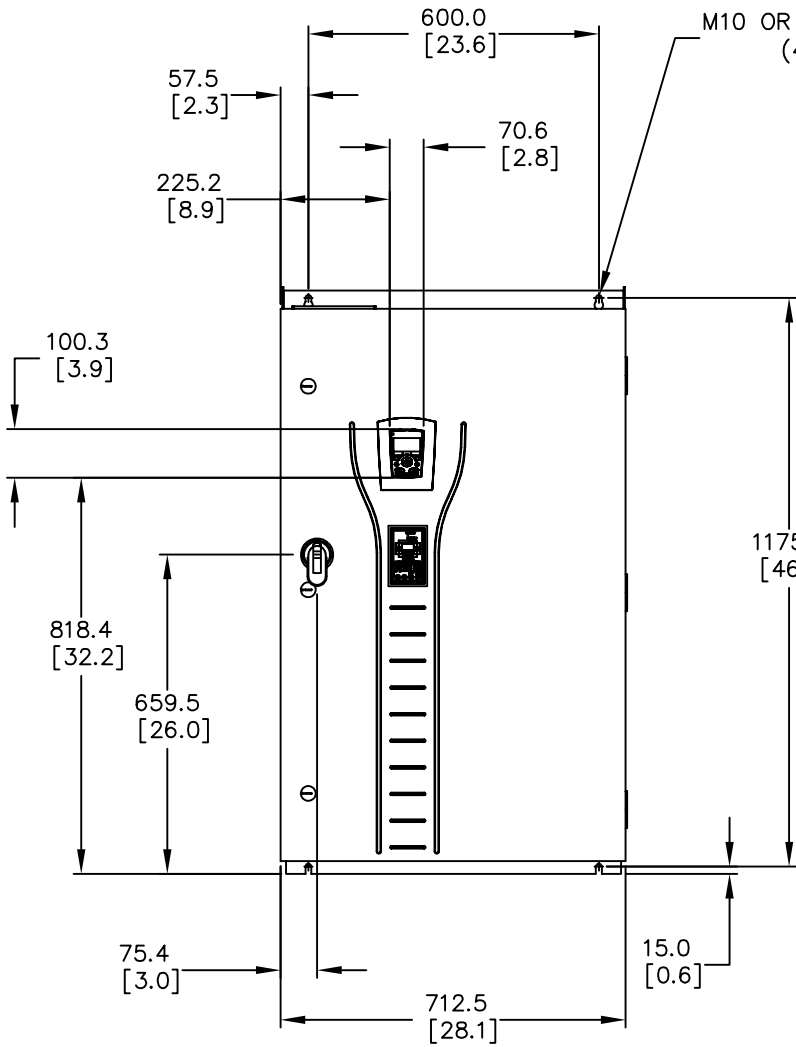
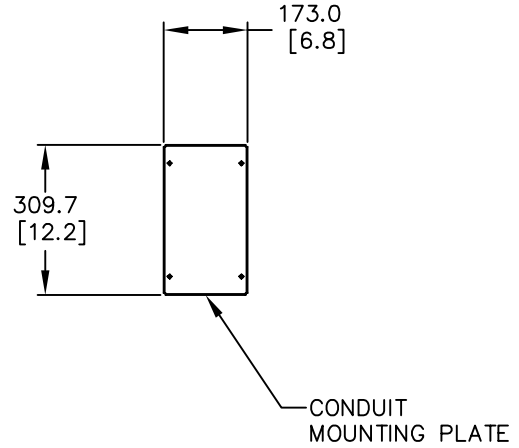
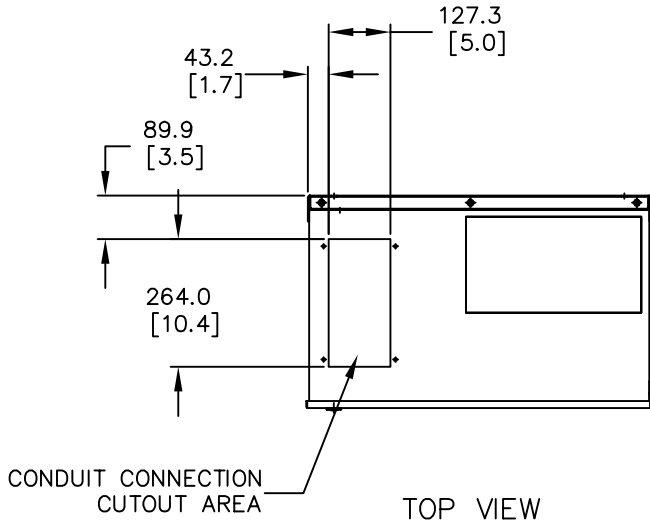


We reserve all rights in this document and the information contained therein. Reproduction, use, or disclosure to third parties without express written authority is strictly forbidden. © ABB Automation Inc. (US)



- NOTES:
- DIMENSIONS SHOWN ARE IN MM [INCHES]
 - APPROXIMATE PRODUCT WEIGHT
 R5 - 120.6 kg [266 lbs.]
 R6 - 163.3 kg [360 lbs.]

F-3BUA0980502-d, rev. 1, 6-1-00

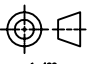
ECO #	Rev. descr.			Title DIMENSION DRAWING 550, E-BYPASS UL TYPE 1, R5/R6	 1=400 Cont. sh. 2		
Prep.	USINY/ 45069	C.SARRO	3-08-04				
Appr.	USINY/ 40060	T.NARUS	3-08-04				
Resp. dept.	USINY/ 45069		2-02-04	Document number 3AUA00000005586	Lang.	Rev. ind. A	Sheet 1



ABB Automation and Drives